

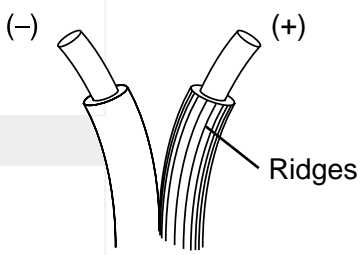
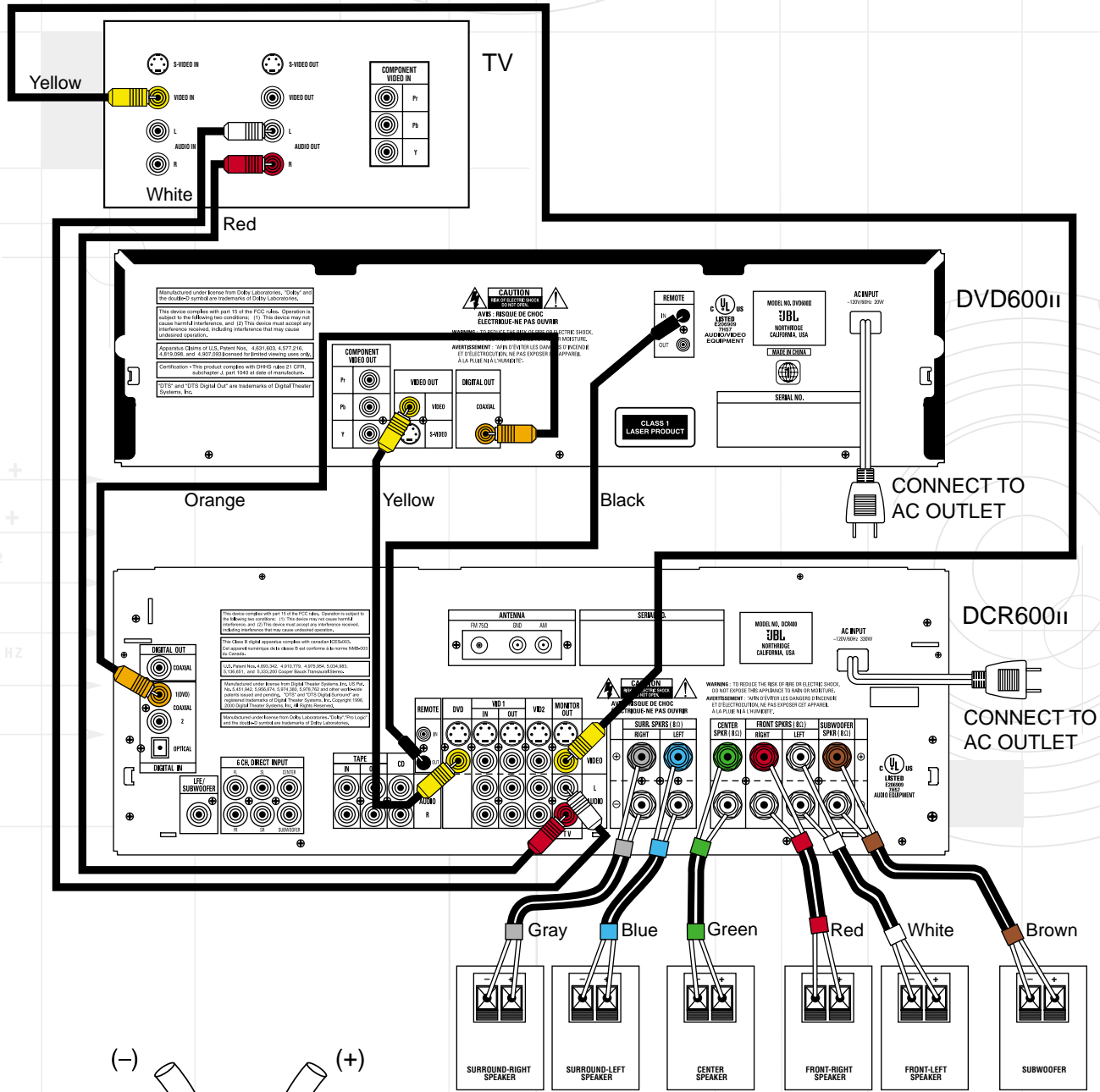
Colors shown in parentheses are wiring color codes.

# QUICK SETUP GUIDE

## CINEMA PROPACK 600 II

# JBL

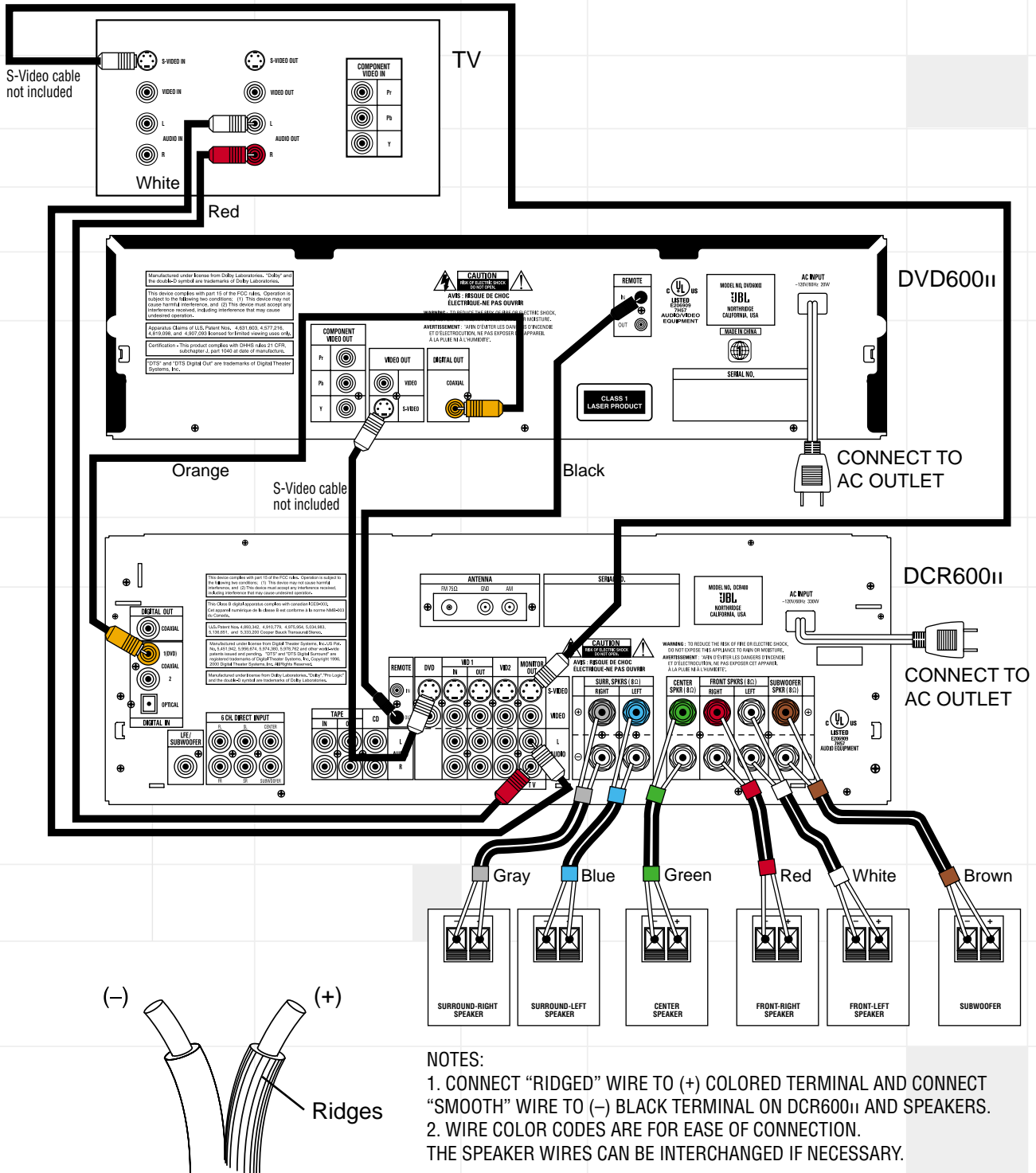
**BASIC INSTALLATION:** Your TV must at a minimum have a composite video input (this connector usually has a yellow-colored core), and Left (usually has a white-colored core) and Right (red-colored core) Stereo audio preamp-level RCA outputs. All wires for this hookup are included.



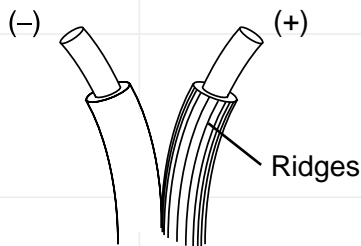
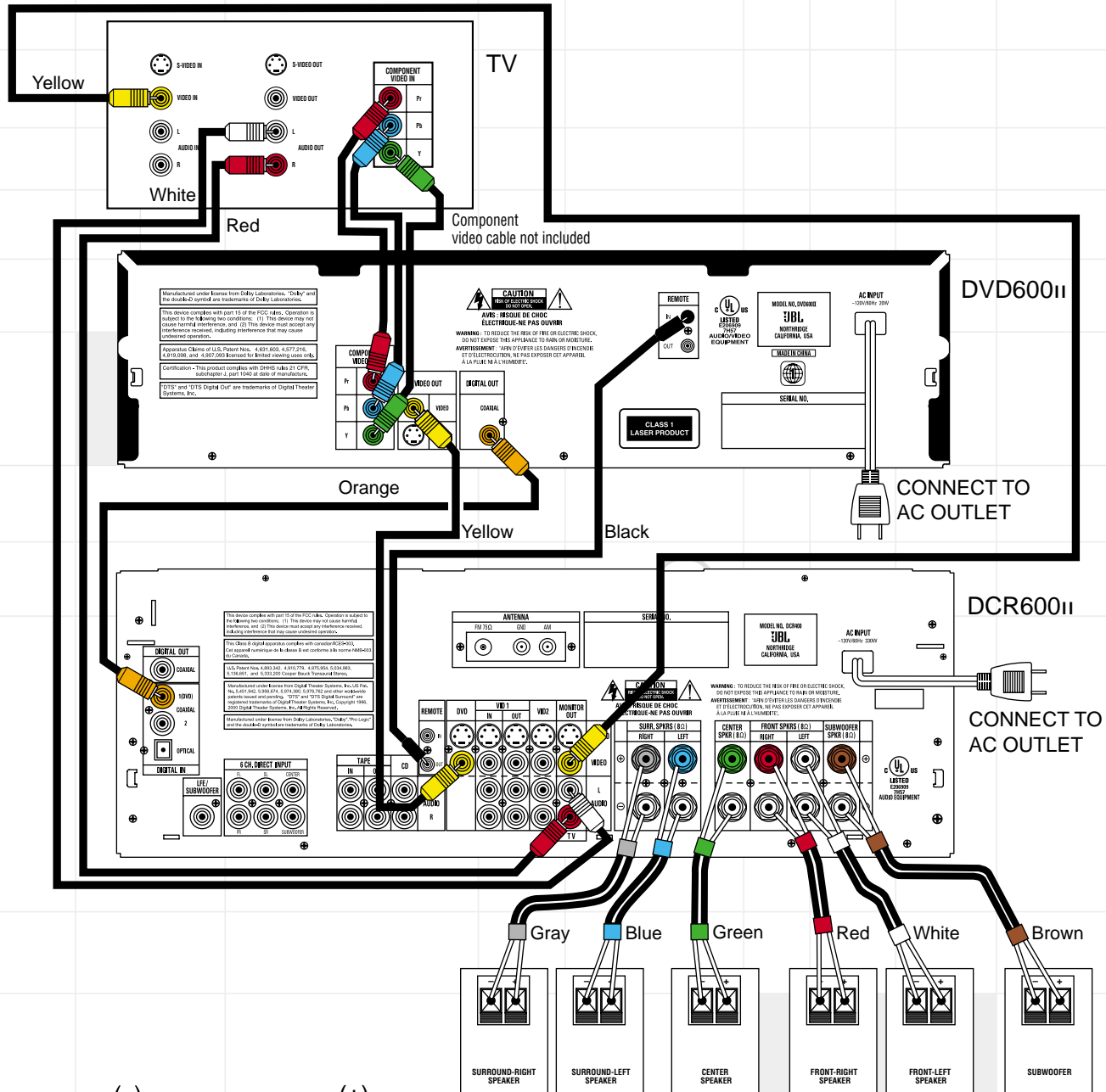
**NOTES:**

1. CONNECT "RIDGED" WIRE TO (+) COLORED TERMINAL AND CONNECT "SMOOTH" WIRE TO (-) BLACK TERMINAL ON DCR600ii AND SPEAKERS.
2. WIRE COLOR CODES ARE FOR EASE OF CONNECTION. THE SPEAKER WIRES CAN BE INTERCHANGED IF NECESSARY.

**ALTERNATE INSTALLATION FOR BETTER PICTURE QUALITY:** Your TV must have an S-Video input, and Left (usually has a white-colored core) and Right (red-colored core) Stereo audio preamp-level RCA outputs. Two pieces of S-Video cable are not included and should be purchased separately.



**ALTERNATE INSTALLATION FOR BEST PICTURE QUALITY:** Your TV must have Y/Pr/Pb component video inputs (three separate RCA connectors with red-, blue- and green-colored cores), and Left (usually has a white-colored core) and Right (red-colored core) Stereo audio preamp-level RCA outputs. The component video cable is not included and should be purchased separately. This setup requires that the TV's own video switching is utilized to access DVD picture. All other video switching is still done through the DCR600ii.



- NOTES:**
1. CONNECT "RIDGED" WIRE TO (+) COLORED TERMINAL AND CONNECT "SMOOTH" WIRE TO (-) BLACK TERMINAL ON DCR600ii AND SPEAKERS.
  2. WIRE COLOR CODES ARE FOR EASE OF CONNECTION. THE SPEAKER WIRES CAN BE INTERCHANGED IF NECESSARY.
  3. MUST USE VIDEO SWITCHING THROUGH TV TO ACCESS COMPONENT VIDEO.